



# Camino ecoGREEN™

## Camino ecoGREEN™

Camino ecoGREEN™ is an eco-friendly and permeable twist on a versatile classic that suit any kind of project, be it residential or commercial. Its traditional rectangular and square brick shapes can be used in historical and contemporary applications alike, while the 60mm thickness allows it to be used for heavy vehicular applications such as roadways and driveways.

Because rainwater infiltration is vital for the regeneration of groundwater and the health of vegetation, it is increasingly important that paving projects avoid sealing the earth. Permeable pavers guarantee stability while allowing for penetration of rain and stormwater, relieving overburdened drain water systems and serving as an alternative to expensive sewer systems. With proper installation and maintenance, permeable pavers will not clog or seal off with dirt like porous concrete or asphalt pavements.

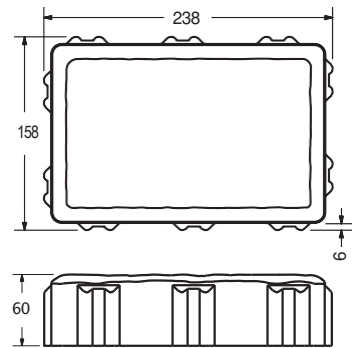
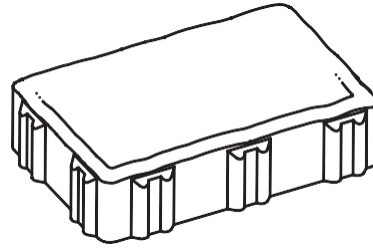
## Composition and Manufacture

Camino ecoGREEN™ is made from a zeolite-composite, low CO<sub>2</sub>, low moisture concrete mixture under high pressure and high frequency vibration, producing a very dense stone, low in water absorption (less than 5%) and high in compressive strength PSI (above 8000). It is also designed to meet or exceed ASTM C-936 and ASTM C-67 (freeze/thaw) specifications.

### 6x9 Dimensions:

Thickness: 60mm (2.375")  
Width: 158mm (6.25")  
Length: 238mm (9.44")  
Pcs/SqFt: 2.42  
Approx Wt: 11 lbs/pc  
% Void: 5.8 (9mm gap)

### Product Views:



### 6x6 Dimensions:

Thickness: 60mm (2.375")  
Width: 158mm (6.25")  
Length: 158mm (6.25")  
Pcs/SqFt: 3.65  
Approx Wt: 8 lbs/pc  
% Void: 6.7 (9mm gap)

### Product Views:

