



Murata™ Step 48"

Murata™ Step 48"

We've made building steps even cleaner. Introducing Murata™ Step, the next member in our Murata™ family of blocks. With this block, its 7" rise and 16" run makes building steps quick and easy. The 48" width should fit most applications without much cutting, if any. Each block is extremely heavy, so we recommend setting these blocks with at least a two-man clamp or slung from a piece of machinery.

Composition and Manufacture

Murata™ Step 48" is made from a low moisture concrete mixture. It is made under high pressure and high frequency vibration, producing a very dense block, low in water absorption (less than 7%) and high in compressive strength PSI (above 3000). It is designed to meet or exceed ASTM C-1372 specifications.

Dimensions:

Height: **200mm** (7.87")

Width: **1220mm** (48")

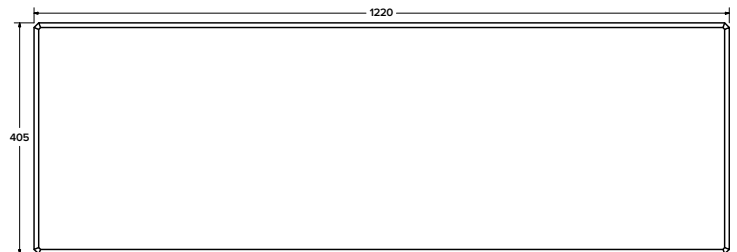
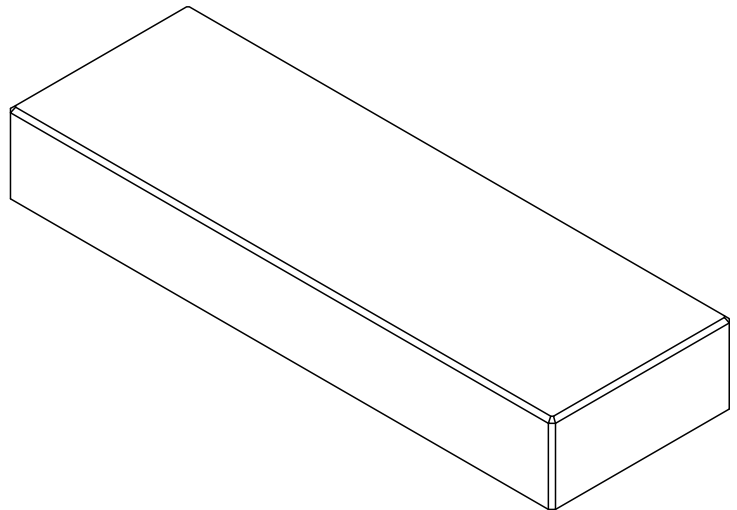
Depth: **406mm** (16")

Pcs/SqFt: **n/a**

Pcs/Pallet: **2388**

Approx Wt: **398 lbs/pc**

Product Views:



10095 Rickreall Rd. • Rickreall, OR 97371 | 9145 Fasset St. • Olympia, WA 98512

503.623.9084 | 480.878.9301

westerninterlock.com