

# Half Holland Stone

## Half Holland Stone

The Half Holland stone is the smallest stone offered by Western Interlock and modules with the Holland Stone, Park Stone, Plaza Stone and the Arena Stone.

This smaller variation of the traditional brick shaped stone can be used in historical and contemporary applications alike.

The small square shape fits well in several laying patterns and with three different surface finishes this stone will add versatility to projects.

The **Standard** finish on the Half Holland Stone is a flat top with a 3/8" wide, 30 degree bevel around the edges. Standard finish provides a measured contemporary look.

The **Roca** finish offers a unique surface treatment produced by individually tumbling the stones. Roca Half Holland Stone has broken edge with dramatic, rugged old world look.

**Granite** Half Holland Stone has a finish reminiscent of Cascade granite. They provide a uniquely attractive appearance to complement the more natural look of Northwest landscaping.

Half Holland Stone (4" x 4") is part of a paver family that includes Holland (4" x 8"), Park (8" x 8"), Plaza (8" x 12") and Arena (12" x 12") Stones, all available in standard, roca and granite finishes. This allows you to mix and match patterns, texture and borders to create the unique look you want for enduring appeal. Combine these stones to add elegance and personality to a project.

## Composition and Manufacture

Half Holland Stone is made from a low moisture concrete mixture. It is made under high pressure and high frequency vibration, producing a very dense stone, low in water absorption (less than 5%) and high in compressive strength PSI (above 8000). It is designed to meet or exceed ASTM C-936 and ASTM C-67 (freeze/thaw) specifications. Holland Half stone is available in a large variety of stock colors and blends.

## Dimensions:

Thickness: 60mm (2 3/8")

## Holland Permeare

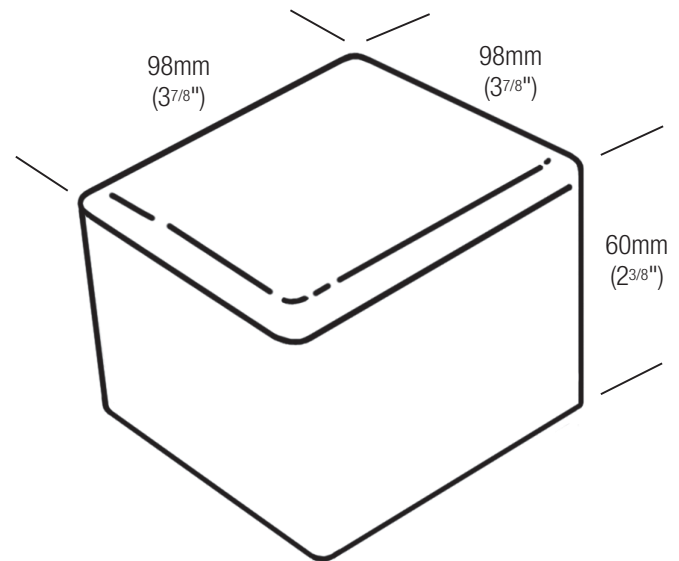
Width: 98mm (3 7/8")

Length: 98mm (3 7/8")

Pcs/SqFt: 9.12

Approx Wt: 3 lbs/pc

## Product Views:



**“Enjoy the Durability, Beauty, Convenience and Value of The Perfect Paving System”**

## Paving Stones and Retaining Wall Systems Made for the Northwest

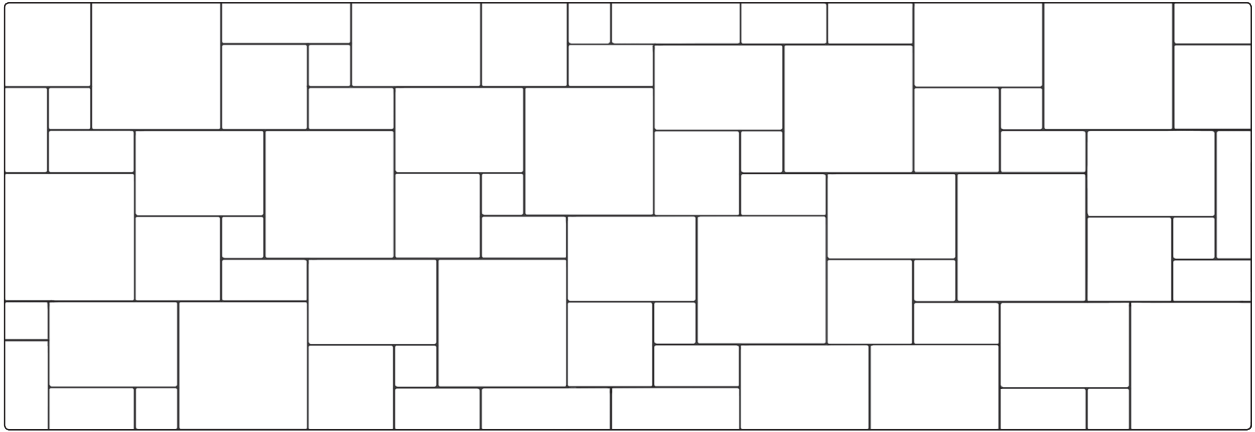
Western Interlock, Inc.  
10095 Rickreall Rd.  
Rickreall, Oregon 97371

(503) 623-9084  
1 (800) 627-3153  
fax (503) 623-9122

Tumwater/Olympia 360-878-9301  
9145 Fassett St SW  
Olympia, WA 98512

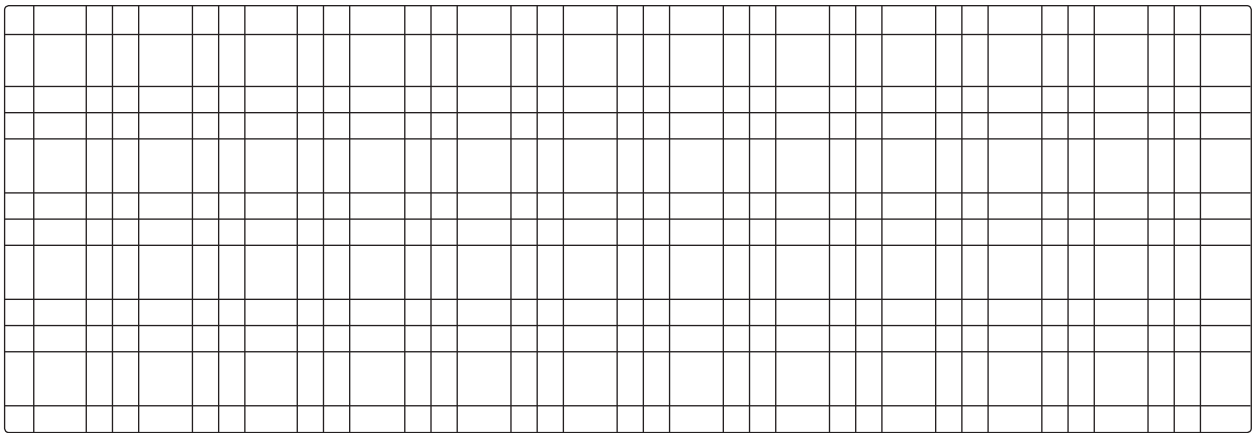


# Half Holland Patterns



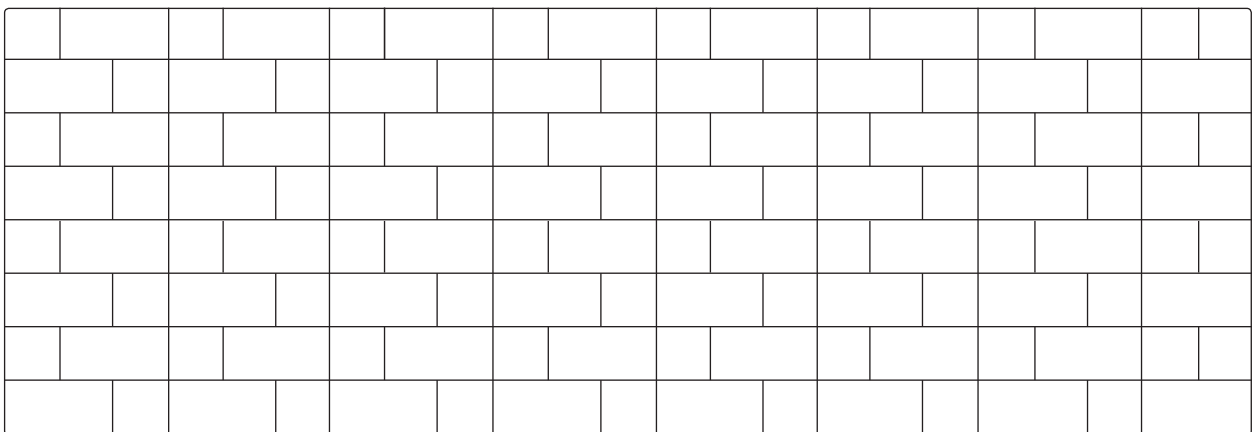
## 5 Stone Pattern:

34% Arena, 26% Plaza, 20% Park, 11% Holland, 9% Half Holland



## Checker Pattern:

50% Holland, 25% Park, 25% Half Holland



## Step Running Bond Pattern:

66% Holland, 34% Half Holland

