



# Chateau Wall™

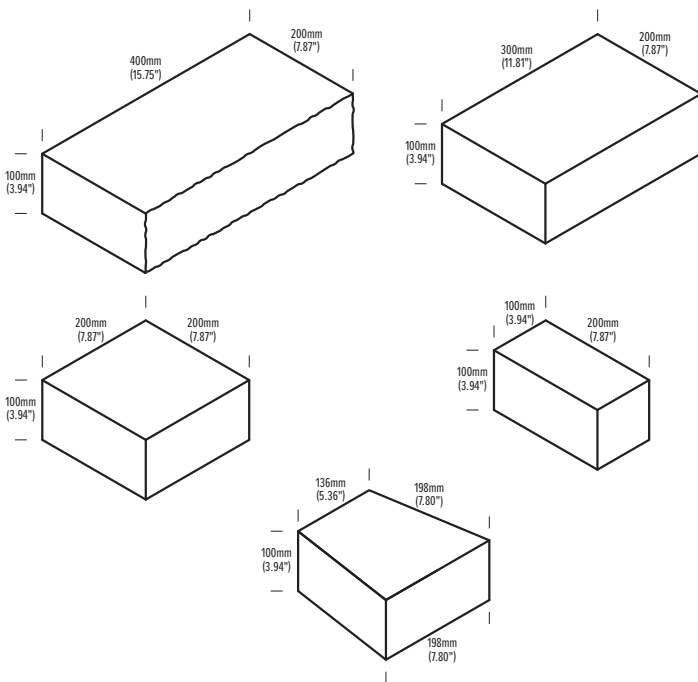
## Chateau Wall™

Chateau Wall™ opens new horizons in free-standing garden wall and small retaining wall options. With its versatile modular sizing and glue together construction, Chateau Wall™ is an easy way to creatively enhance your outdoor spaces. Each individual block is treated to give it a hand-hewn old-world look that fits in with the natural Northwest landscape. Available in four sizes and several colors that coordinate well with all our pavers, Chateau Wall's options are endless.

## Composition and Manufacture

Chateau Wall™ is made from a low moisture concrete mixture. It is made under high pressure and high frequency vibration, producing a very dense stone, low in water absorption and high in compressive strength PSI (above 3000). It is designed to meet or exceed ASTM C-1372 specifications and ASTM test methods C-140 and C-1262.

## Product Views:



## Dimensions:

### 100

Thickness: **100mm** (3.94")  
 Width: **100mm** (3.94")  
 Length: **200mm** (7.87")  
 Pcs/LnFt: **9.3**  
 Approx Wt: **9.5 lbs/pc**

### 200

Thickness: **100mm** (3.94")  
 Width: **200mm** (7.87")  
 Length: **200mm** (7.87")  
 Pcs/LnFt: **4.66**  
 Approx Wt: **19 lbs/pc**

### 300

Thickness: **100mm** (3.94")  
 Width: **200mm** (7.87")  
 Length: **300mm** (11.81")  
 Pcs/LnFt: **3.1**  
 Approx Wt: **28.5 lbs/pc**

### 400

Thickness: **100mm** (3.94")  
 Width: **200mm** (7.87")  
 Length: **400mm** (15.75")  
 Pcs/LnFt: **2.33**  
 Approx Wt: **38 lbs/pc**

### Beveled

Thickness: **100mm** (3.94")  
 Face Width: **198mm** (7.80")  
 Length: **198mm** (7.80")  
 Pcs/LnFt: **4.66**  
 Approx Wt: **16 lbs/pc**