

Villa Stone

Villa Stone is a unique stone with interesting design possibilities. Its unique combination of length and width gives a look of an old fashioned plank walkway or roadway. Its long length makes it perfect for curbs, borders, and mow strips. Villa Stone has the look of a wooden, plank but has the potential to do so much more.

Composition and Manufacture

Villa Stone is made from a low moisture concrete mixture. It is made under high pressure and high frequency vibration, producing a very dense stone, low in water absorption (less than 5%) and high in compressive strength PSI (above 8000). It is designed to meet or exceed ASTM C-936 and ASTM C-67 (freeze/thaw) specifications. Villa Stone is available in a large variety of stock colors and color blends. Custom and non-stock colors are available upon request.

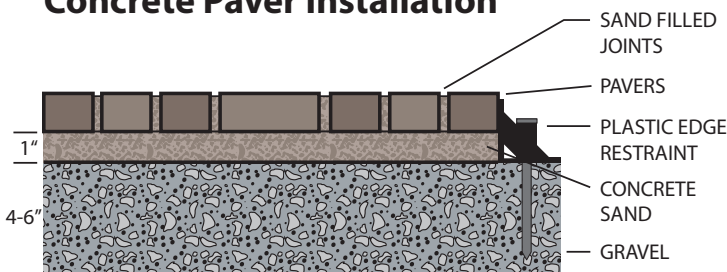
“Enjoy the Durability, Beauty, Convenience and Value of The Perfect Paving System”

Applications:

Western Interlock pavers may be used for:

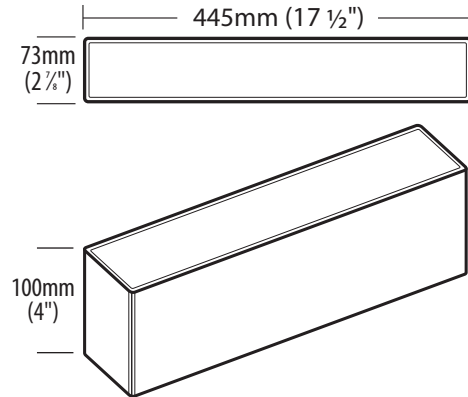
- Patios • Walkways • Pool Decks • Malls • Roof Decks
- Plazas • Courtyards • Streets • Driveways

Typical Cross Section of Concrete Paver Installation



Dimensions:

- Thickness: 100mm (4")
Width: 73mm (2 7/8")
Length: 445mm (17 1/2")
Pcs/SqFt: 2.86
Approx Wt: 16lbs/pc



Installation:

1. Layout and excavate 6"-8" deep, 4"-6" beyond finished size.
Compact sub-grade. Backfill with crushed aggregate and compact again. Assure a minimum of 1 1/2" of slope in 10' of drainage. Typically 4"-6" of compacted base should be used for light vehicular and pedestrian traffic, or 6"-12" for heavy vehicular or industrial traffic.
2. Screed concrete sand or similar product on a prepared base to a uniform depth of 1".
3. Place stones on sand bed. Cutting of stones can be done with a masonry saw or a stone splitter.
4. Place edge restraint along edges to hold edge. You may use concrete, PVC edge system, treated wood or steel.
5. Compact paving stone with a vibratory plate compactor until uniformly level and true to grade. Fill joints by sweeping in sand.

Paving Stones and Retaining Wall Systems Made for the Northwest

Western Interlock, Inc. (503)623-9084
10095 Rickreall Rd. 1(800) 627-3153
Rickreall, Oregon 97371 fax (503) 623-9122

